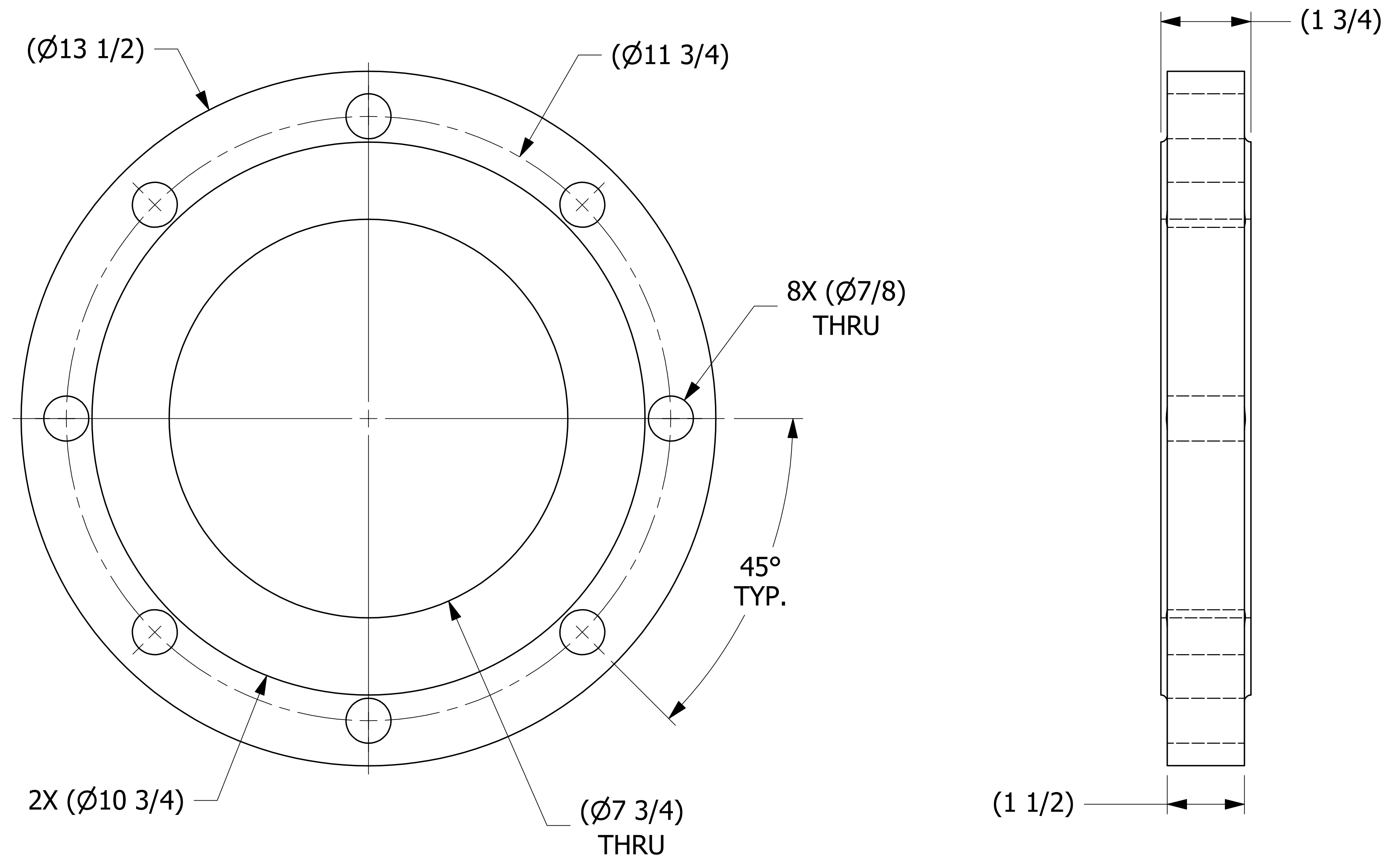


SALES DRAWING SALES DRAWING

SALES DRAWING SALES DRAWING



| | | |
|---|-----------------------------|-----------|
| <small>UNLESS OTHERWISE SPECIFIED DIMENSIONAL TOLERANCES</small> FRACTIONAL: ±1/16 X.XX: ±.03 X.XXX: ±.015 ANGULAR: ±1° <small>DEBURR ALL SHARP EDGES. ALL MACHINED SURFACES TO HAVE A 125 RMS FINISH UNLESS NOTED OTHERWISE.</small> <small>THIRD ANGLE PROJECTION</small> | DRAWN BY: | CHL |
| | CHECKED BY: | PJG |
| | PROTOTYPE BY: | CHL |
| | PROTOTYPE DATE: | 2/29/2016 |
| | APPROVED FOR PRODUCTION BY: | TAK |
| | PRODUCTION DATE: | 4/29/2014 |

| | | | |
|------------|---------|----------|--|
| A | TAK | 4-29-14 | REPLACED SHT2ACCL W/ HS8SGFLAB & RELEASED FOR PRODUCTION |
| REV | BY | DATE | DESCRIPTION |
| | | | SALCO PRODUCTS, INC. |
| | | | SIGHT GLASS FLANGE 8" |
| MATERIAL: | | ACRYLIC | |
| PROJECT #: | WAG0500 | SHEET #: | 1 OF 1 |
| DRAWING #: | D24594 | PART #: | HS8SGFLA |
| | | SCALE: | 3:4 |

THIS PRINT, PROPERTY OF SALCO PRODUCTS INC. CONTAINS PROPRIETARY INFORMATION AND MUST NOT BE COPIED, REPRODUCED, OR USED DETRIMENTALLY TO OUR INTEREST.